

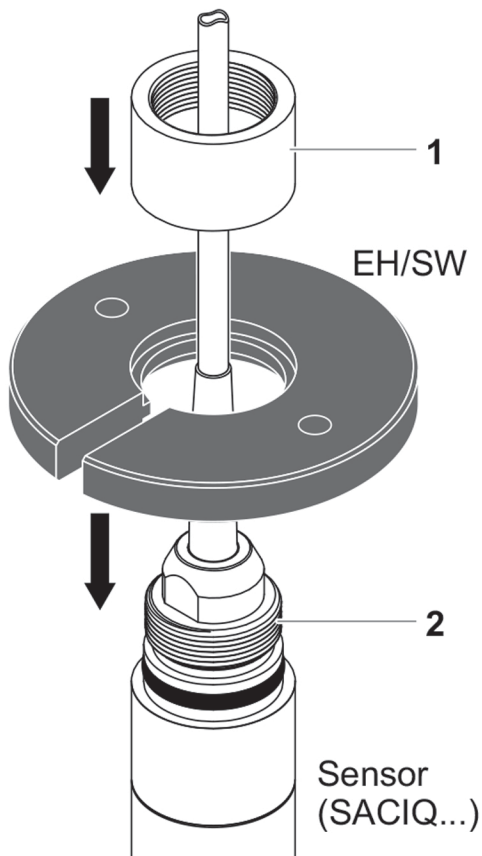


a xylem brand

Installation instructions

EH/SW

Electrode holder for applications in corrosive media like sea water



Installation

- 1 Unscrew the protection ring (1).
- 2 Put the EH/SW electrode holder over the thread (2) on the sensor.
- 3 Screw the protection ring (1) on by hand.

Use the two 8 mm holes for fastening the electrode holder to a rope or similar means.

Material: POM